

## COMMERCIAL PLASTIC



External check hinge with 304 stainless steel hinge posts

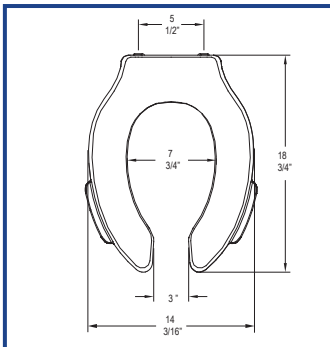


External check hinge holds seat 11 degrees beyond vertical to minimize damage to flush valve

## Seat shall be PLUMBTECH™ MODEL - 423C

- Commercial elongated open front less cover
- Lift handles - for ease of opening and closing seat. Design funnels liquids off of handle.
- Injection molded durable polypropylene plastic with UV protection
- External check hinge stops at 11 degrees beyond vertical
- Ergonomical comfort curve seat design
- 304 stainless steel non-corrosive hardware
- Built in bumpers
- Non-skid rubberized pad
- Hinges are under seat to minimize pinching
- Specify white -00

## PRODUCT SPECIFICATIONS



**Commercial**

**Model 423C - For ANSI Standard Elongated Front Toilets**

**Style: Open Front Less Cover**

**Material: Polypropylene Plastic**

**Hinge: External self-sustaining check hinge with 304 series stainless steel hardware**

**Height of seat: N/A**

**Ring Thickness: 1"**

**Ring Thickness with Bumpers: 7/8"**

**PLUMBTECH™ plastic seats utilize high grade virgin polypropylene plastic. Complies with ANSI Standard Z124.5 Section 5.1.2**