

COMMERCIAL PLASTIC



External check hinge with 304 stainless steel hinge posts

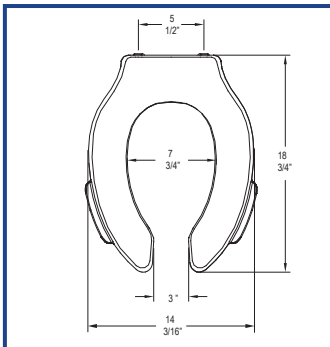


External self sustaining check hinge holds seat 45 degrees before vertical to minimize slamming

Seat shall be PLUMBTECH™ MODEL - 423SSC

- Commercial elongated open front less cover
- Lift handles - for ease of opening and closing seat. Design funnels liquids off of handle.
- Injection molded durable polypropylene plastic with UV protection
- External check hinge holds seat at 11 degrees beyond vertical
- External self-sustaining hinge holds at 45 degrees before vertical
- Ergonomical comfort curve seat design
- 304 stainless steel hinge post and hardware
- Built in bumpers
- Non-skid rubberized pad
- Hinges are under seat to minimize pinching
- Specify white -00

PRODUCT SPECIFICATIONS



Commercial

Model 423SSC - For ANSI Standard Elongated Front Toilets

Style: Open Front Less Cover

Material: Polypropylene Plastic

Hinge: External self-sustaining check hinge with 304 series stainless steel hardware

Height of seat: N/A

Ring Thickness: 1"

Ring Thickness with Bumpers: 7/8"

PLUMBTECH™ plastic seats utilize high grade virgin polypropylene plastic. Complies with ANSI Standard Z124.5 Section 5.1.2