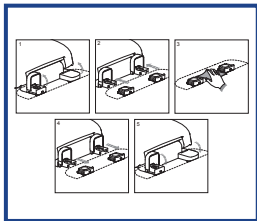
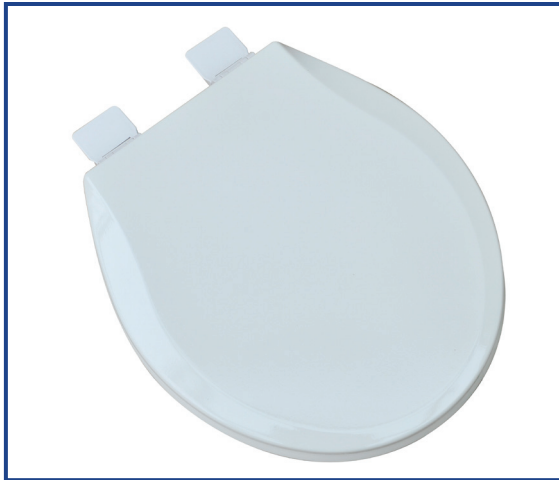


RESIDENTIAL MOLDED WOOD



Release 'N' Clean™



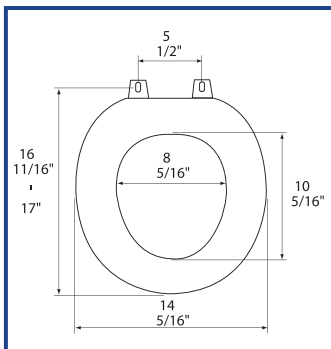
Factory-installed "living" hinge covers with stainless steel screws

Seat shall be PLUMBTECH™ MODEL - 125

- Round closed front with cover
- Premium quality durable molded wood
- Multi-coat high gloss enamel paint with sealer and primer
- UV paint color protection
- OSG - Odor Stain Guard ingredient in paint
- Color coordinated hinge with steel pintel
- Four bumpers on ring for stability
- Non-skid rubberized pads
- Assembled with corrosion resistant stainless steel screws
- Corrosion proof POM nuts and bolts
- Contractor quality Release 'N' Clean™ adjustable top mount hinge
- Vari-adjust™ with Lok-Down™ hinge
- Color coordinated bumpers
- Specify white -00, bone -01, biscuit -02, cotton white -04 and select colors

White and select colors available in BathDécor™ package - Model 1C3R3

PRODUCT SPECIFICATIONS



Residential

Model 125 - For ANSI Standard Round Front Toilets

Style: Closed Front with Cover

Material: Molded Wood (wood flour and resin)

Hinge: Extra Heavy Duty Plastic Hinge with Stainless Steel Screws and Pintels

Height of seat: 2 1/4"

Ring Thickness: 7/8"

Ring Thickness with Bumpers: 1 1/8"

PLUMBTECH™ molded wood seats utilize the finest paint to seal and beautify the molded wood core with deep lustrous color and rock hard enamel durability.