



Factory-installed "living" hinge covers with stainless steel screws



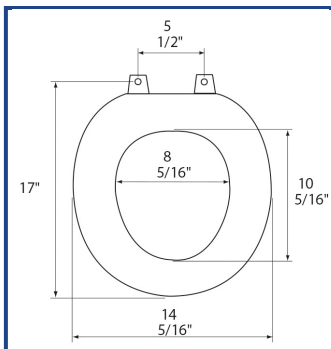
Slow Close Seat

RESIDENTIAL MOLDED WOOD Slow Close Seat

Seat shall be PLUMBTECH™ MODEL - 143

- Patented slow close damper system
- Durable molded wood
- Multi-coat high gloss enamel paint with sealer and primer
- Vari Adjust hinge for the perfect fit
- Lok-Down mounting hardware to prevent loosening
- Release 'N' Clean hinge for ease of cleaning the toilet
- UV paint color protection
- Elongated closed front with cover
- Color coordinated bumpers
- Four bumpers on ring for stability
- Non-skid rubberized pads to minimize movement
- Assembled with corrosion resistant stainless steel screws
- Corrosion proof nuts and bolts
- Contractor grade heavy duty hinge
- Specify white -00

PRODUCT SPECIFICATIONS



Residential

Model 143 - For ANSI Standard Round Front Toilets

Style: Closed Front with Cover

Material: Molded Wood (wood flour and resin)

Hinge: Heavy Duty Slow Close

Height of seat: 2 1/8"

Ring Thickness: 5/8"

Ring Thickness with Bumpers: 7/8"

PLUMBTECH™ molded wood seats utilize the finest paint to seal and beautify the molded wood core with deep lustrous color and rock hard enamel durability.