

## RESIDENTIAL MOLDED WOOD

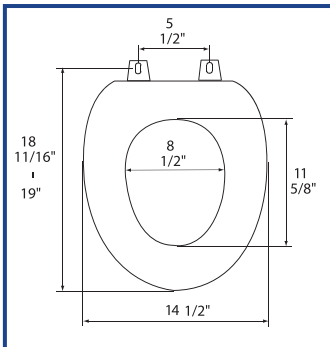


Factory-installed "living" hinge covers with stainless steel screws

### Seat shall be PLUMBTECH™ MODEL - 131

- For Vortens™ models ELX 3113-3646 and 3139-3464
- Elongated closed front with cover
- Premium quality durable molded wood
- Multi-coat high gloss enamel paint with sealer and primer
- UV paint color protection
- Color coordinated hinge
- Four bumpers on ring for stability
- Wider than ANSI standard toilets
- Assembled with corrosion resistant stainless steel screws
- Corrosion proof POM nuts and bolts
- Contractor quality Vari-adjust™ with Lok-Down™ top mount hinge
- Color coordinated bumpers
- Specify white -00

## PRODUCT SPECIFICATIONS



### Residential

Model 131 - For ANSI Standard Elongated or Round Front Toilets

Style: Closed Front with Cover

Material: Molded Wood (wood flour and resin)

Hinge: Extra Heavy Duty Plastic Hinge with Stainless Steel Screws and Pintels

Height of seat: 2 1/4"

Ring Thickness: 7/8"

Ring Thickness with Bumpers: 1 1/8"

PLUMBTECH™ molded wood seats utilize the finest paint to seal and beautify the molded wood core with deep lustrous color and rock hard enamel durability.