

# Quik-Lok™

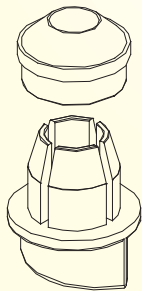
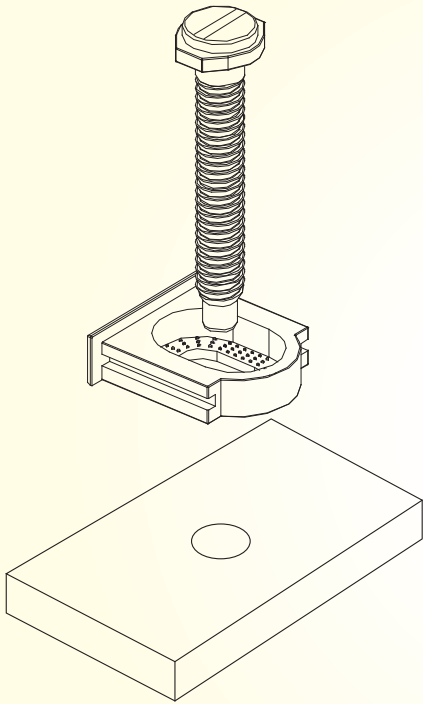
## PLUMBTECH™

NO TOOLS QUIK-LOK TECHNOLOGY

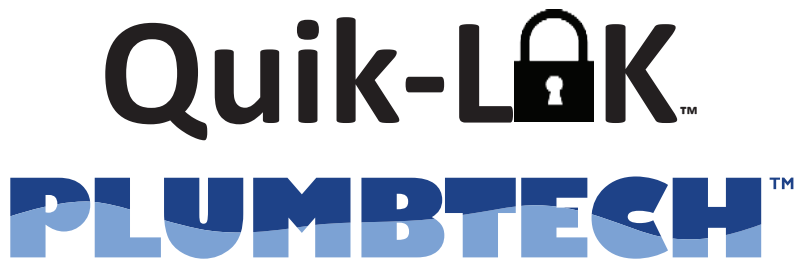
Currently available for most white builder, deluxe, and premium models. If in doubt please call for confirmation.

**NEW**

## INCREASE PRODUCTIVITY



**No Tools  
Required**



**NO TOOLS QUIK-LOK TECHNOLOGY**

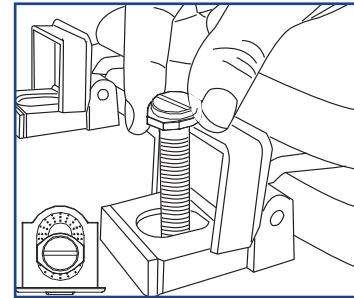
Currently available for most white builder, deluxe, and premium models. If in doubt please call for confirmation.

## Up To 6x Faster Installation Than Bottom Mount! SAVE 50% to 80% of your time - LABOR COST

### SIMPLE - FAST & EASY

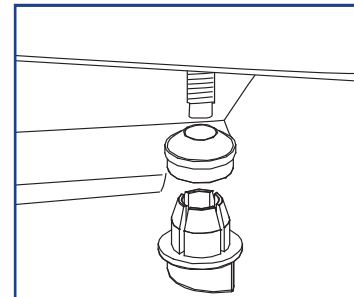
#### Step 1

Insert bolts through the mounting holes in the hinge. Place seat over toilet and insert bolts through toilet mounting holes. Position head of bolt in mounting tray as shown to prevent turning during installation.



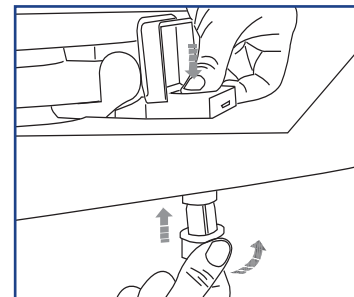
#### Step 2

Hold the head of the bolt down with your thumb. Place the cone washer as shown on to the bolt and PUSH the Quik-Lok nut on to the bolt and upward until it stops.



#### Step 3

Continue to press on the head of the bolt while twisting the nut to tighten and snug the cone washer into the toilet mounting hole and the nut firmly locks into the bottom of the nut. To remove seat – reverse the process and quickly pull nut down.



*Bolt cannot be fully tightened with a screwdriver.  
Twist thumbnut to lock into place.*

For additional description information and specifications go to:  
[www.plumbtechseats.com](http://www.plumbtechseats.com) or [www.bathdecorseats.com](http://www.bathdecorseats.com)

100 Egberston Road, Suite 1  
Campbell Hall, NY 10916

Phone: 973-714-9104  
Fax: 973-998-9780

Web: [Plumbtechseats.com](http://Plumbtechseats.com)  
Youtube: [plumbtechseats](http://plumbtechseats)

[customerservice@plumbtechseats.com](mailto:customerservice@plumbtechseats.com)