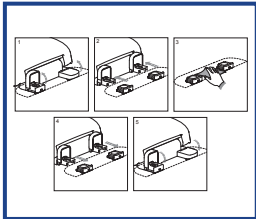


RESIDENTIAL PLASTIC



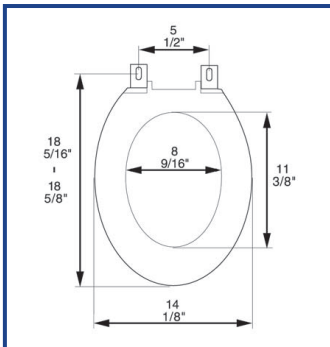
Release 'N' Clean™

Seat shall be PLUMBTECH™ MODEL - 223

- Deluxe grade residential elongated closed front with cover
- Heavy duty contractor grade Release 'N' Clean™ hinge with Vari-Adjust Lok-Down™
- Injection molded durable polypropylene plastic with UV protection
- Molded in bumpers
- Built in non-skid rubberized pad
- Corrosion proof POM nuts, bolts and washers
- Compact profile design to list on any ANSI standard toilet
- Top mount design for ease of installation
- Accepts 304 stainless steel 200HPSS mounting hardware
- Specify white -00

White available in BathDécor™ package - Model 2C5E2

PRODUCT SPECIFICATIONS



Residential

Model 223 - For ANSI Standard Elongated Toilets

Style: Closed Front with Cover

Material: Polypropylene Plastic

Hinge: Contractor Quality Heavy Duty Plastic Hinge

Height of seat: 1 3/8"

Ring Thickness: 5/8"

Ring Thickness with Bumpers: 3/4"

PLUMBTECH™ plastic seats utilize high grade virgin polypropylene plastic. Complies with ANSI Standard Z124.5 Section 5.1.2