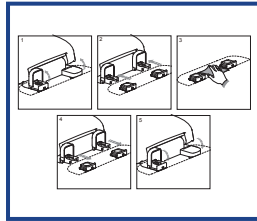


RESIDENTIAL MOLDED WOOD



Factory-installed hinge with stainless steel screws

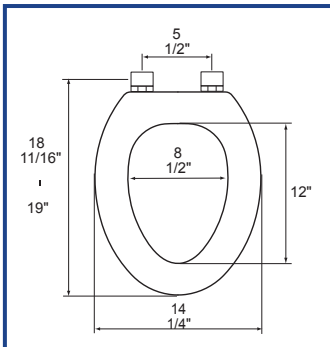


Release 'N' Clean™

Seat shall be PLUMBTECH™ MODEL - 106

- Builder Grade durable molded wood
- Elongated closed front with cover
- Multi-coat high gloss enamel paint with sealer and primer
- UV paint color protection
- Contractor quality adjustable Release 'N' Clean™ top mount hinge
- Color matching hinge and bumpers
- Four bumpers on ring for stability
- Non-skid rubberized pads
- Assembled with corrosion resistant stainless steel screws
- Corrosion proof POM nuts and bolts
- Specify white -00, Biscuit/Linen -02

PRODUCT SPECIFICATIONS



Residential

Model 106 - For ANSI Standard Elongated Front Toilets

Style: Closed Front with Cover

Material: Molded Wood (wood flour and resin)

Hinge: Heavy Duty Plastic Hinge with Stainless Steel Screws

Height of seat: 2 1/4"

Ring Thickness: 3/4"

Ring Thickness with Bumpers: 1 1/8"

PLUMBTECH™ molded wood seats utilize the finest paint to seal and beautify the molded wood core with deep lustrous color and rock hard enamel durability.