

## RESIDENTIAL MOLDED WOOD



### Seat shall be PLUMBTECH™ MODEL - 113

- Deluxe quality durable molded wood
- Round closed front with cover
- Multi-coat high gloss enamel paint with sealer and primer
- UV paint color protection
- Contractor quality adjustable top mount hinge
- Color matching hinge and bumpers
- Four bumpers on ring for stability
- Non-skid rubberized pads
- Assembled with corrosion resistant stainless steel screws
- Corrosion proof POM nuts and bolts
- Specify white -00, bone -01, biscuit -02 or cotton white -04



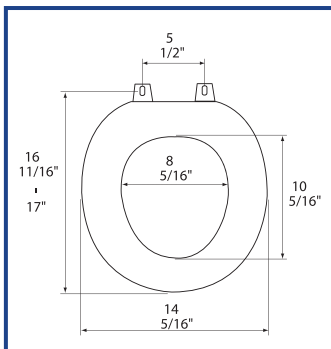
Corrosion proof, self aligning hardware



Factory-installed "living" hinge covers with stainless steel screws

Available in BathDécor™ package - Model 1C3R2

## PRODUCT SPECIFICATIONS



### Residential

Model 113 - For ANSI Standard Elongated Front Toilets

Style: Closed Front with Cover

Material: Molded Wood (wood flour and resin)

Hinge: Heavy Duty Plastic Hinge with Stainless Steel Screws

Height of seat: 2 1/4"

Ring Thickness: 3/4"

Ring Thickness with Bumpers: 1 1/8"

PLUMBTECH™ molded wood seats utilize the finest paint to seal and beautify the molded wood core with deep lustrous color and rock hard enamel durability.