

RESIDENTIAL MOLDED WOOD



Factory-installed "living" hinge covers with stainless steel screws



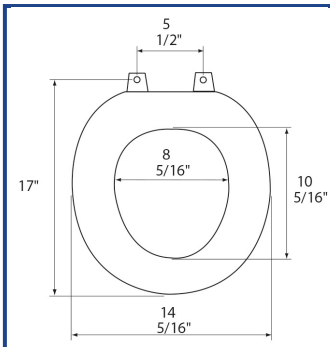
Slow Close Seat

Seat shall be PLUMBTECH™ MODEL - 153

- Patented slow close damper system
- Durable molded wood
- Multi-coat high gloss enamel paint with sealer and primer
- UV paint color protection
- Round closed front with cover
- OSG - Odor Stain Guard ingredient in paint
- Color coordinated bumpers
- Four bumpers on ring for stability
- Non-skid rubberized pads
- Assembled with corrosion resistant stainless steel screws
- Corrosion proof nuts and bolts
- Contractor grade heavy duty hinge
- Specify white -00, bone -01 or biscuit -02

Available in BathDécor™ package - Model 1C3R6

PRODUCT SPECIFICATIONS



Residential

Model 153 - For ANSI Standard Round Front Toilets

Style: Closed Front with Cover

Material: Molded Wood (wood flour and resin)

Hinge: Heavy Duty Slow Close

Height of seat:

Ring Thickness:

Ring Thickness with Bumpers:

PLUMBTECH™ molded wood seats utilize the finest paint to seal and beautify the molded wood core with deep lustrous color and rock hard enamel durability.