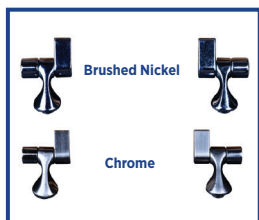


## RESIDENTIAL MOLDED WOOD

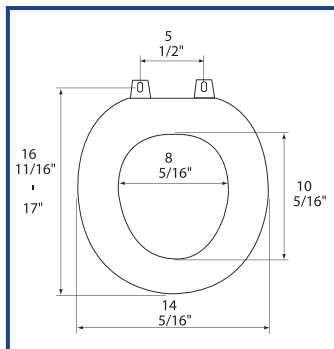


Hinge Finishes

### Seat shall be BATHDÉCOR™ MODEL - 1C3R4

- Round front closed front with cover
- Durable molded wood
- Multi-coat high gloss enamel paint with sealer and primer
- UV paint color protection
- OSG - Odor Stain Guard ingredient in paint
- Plated metal hinge with non-corrosive self aligning mounting hardware
- Four bumpers on ring for stability
- Non-skid rubberized washer
- Assembled with corrosion resistant stainless steel screws
- Corrosion proof mounting hardware
- Includes free installation tool
- Color coordinated bumpers
- Specify white -00 or black -90
- Specify hinges - brushed nickel only available in white, or chrome available in white and black

## PRODUCT SPECIFICATIONS



**Residential**

**Model 1C3R4 - For ANSI Standard Round Front Toilets**

**Style: Closed Front with Cover**

**Material: Molded Wood ( wood flour and resin)**

**Hinge: Extra Heavy Duty Plastic Hinge with Metal Finished Cap**

**Height of seat: 2 1/4"**

**Ring Thickness: 3/4"**

**Ring Thickness with Bumpers: 1 1/8"**

**BATHDÉCOR™** molded wood seats utilize the finest paint to seal and beautify the molded wood core with deep lustrous color and rock hard enamel durability.