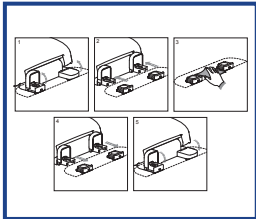
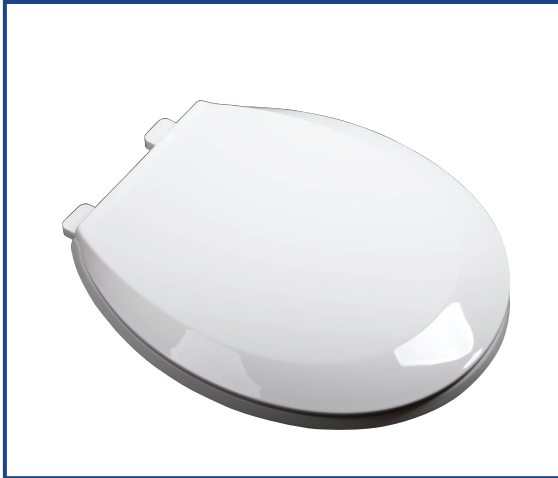


RESIDENTIAL PLASTIC



Release 'N' Clean™



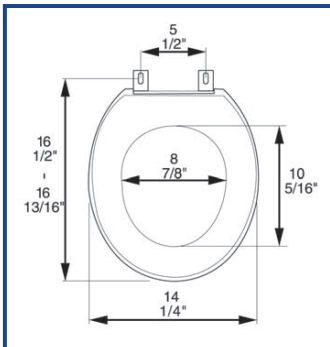
Factory-installed "living" hinge covers

Seat shall be PLUMBTECH™ MODEL - 230

- Round closed front with cover
- Premium residential design
- Injection molded durable polypropylene plastic with UV protection
- Molded in bumpers
- Contractor quality matching Release 'N' Clean™ adjustable hinge
- Stainless steel pintel for durability
- Non-skid rubberized pads
- Corrosion proof POM nuts, bolts and washers
- Top mount design
- Accepts 304 stainless steel 200HPSS mounting hardware
- Specify white -00, bone -01 or biscuit -02

White available in BathDécor™ package - Model 2C3R3

PRODUCT SPECIFICATIONS



Residential

Model 230 - For ANSI Standard Round Front Toilets

Style: Closed Front with Cover

Material: Polypropylene Plastic

Hinge: Release 'N' Clean™ adjustable hinge

Height of seat: 2"

Ring Thickness: 5/8"

Ring Thickness with Bumpers: 1"

PLUMBTECH™ plastic seats utilize high grade virgin polypropylene plastic. Complies with ANSI Standard Z124.5 Section 5.1.2