

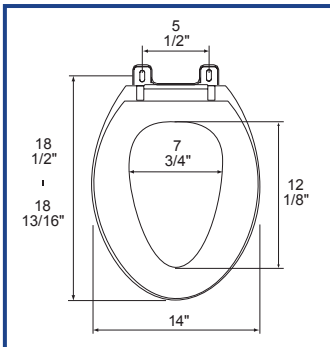


Slow Close Seat

### Seat shall be BATHDÉCOR™ MODEL - 2C3E6-00CH

- Closed front with cover
- Patented slow close damper system
- Injection molded durable polypropylene plastic with UV protection
- Molded in bumpers
- Adjustable hinge
- Chrome plated hinge
- Non-skid rubberized pads
- Top mount adjustable hinge
- Accepts 304 stainless steel 200HPSS hardware
- Contractor quality hinge
- Specify white -00

## PRODUCT SPECIFICATIONS



Residential

Model 261 - For ANSI Standard Elongated Toilets

Style: Closed Front with Cover

Material: Polypropylene Plastic

Hinge: Slow close damper system with Release 'N' Clean™ and adjustable

Height of seat:

Ring Thickness:

Ring Thickness with Bumpers:

PLUMBTECH™ plastic seats utilize high grade virgin polypropylene plastic.  
Complies with ANSI Standard Z124.5 Section 5.1.2