

COMMERCIAL PLASTIC



External check hinge with 304 stainless steel hinge posts

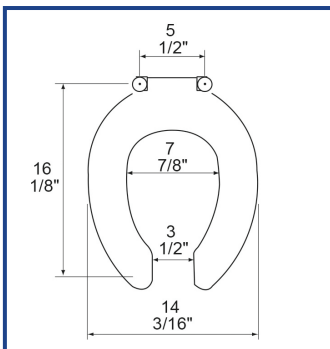


External check hinge holds seat 11 degrees beyond vertical to minimize damage to flush valve

Seat shall be PLUMBTECH™ MODEL - 420C

- White round front with 304 stainless steel hinges
- Commercial round open front less cover
- Injection molded durable polypropylene plastic with UV protection
- External check hinge stops at 11 degrees beyond vertical
- Ergonomical comfort curve seat design
- 304 stainless steel hinge posts and hardware
- Built in bumpers
- Non-skid rubberized pad
- Specify white -00

PRODUCT SPECIFICATIONS



Commercial

Model 420C - For ANSI Standard Round Front Toilets

Style: Open Front Less Cover

Material: Polypropylene Plastic

Hinge: External check hinge with 304 series stainless steel hardware

Height of seat: N/A

Ring Thickness: 1"

Ring Thickness with Bumpers: 7/8"

PLUMBTECH™ plastic seats utilize high grade virgin polypropylene plastic. Complies with ANSI Standard Z124.5 Section 5.1.2