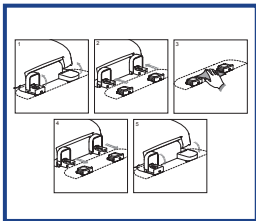
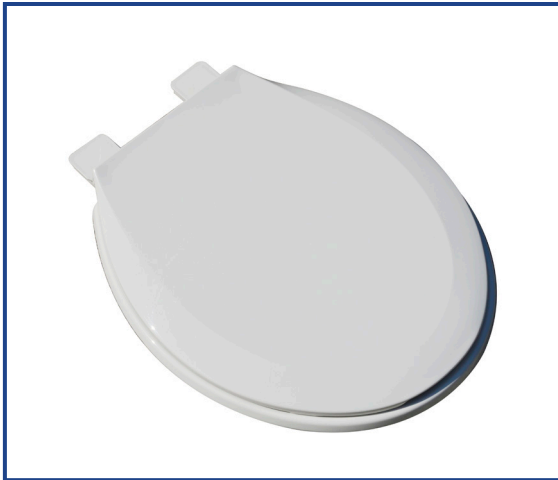


## RESIDENTIAL PLASTIC



Release 'N' Clean™

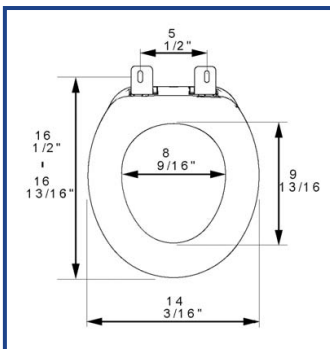


Factory-installed "living" hinge covers

### Seat shall be PLUMBTECH™ MODEL - 205

- Builder grade residential round closed front with cover
- Injection molded durable polypropylene plastic with UV protection
- Round closed front with cover
- Molded in bumpers
- Contractor quality matching Vari-Adjust™ Lok-Down™ Release 'N' Clean™
- Corrosion proof POM nuts, bolts and washers
- Top mount design
- Accepts 304 stainless steel 200HPSS mounting hardware
- Non-skid rubberized pads are pre-installed hinge
- Specify white -00

## PRODUCT SPECIFICATIONS



### Residential

Model 205 - For ANSI Standard Round Front Toilets

Style: Closed Front with Cover

Material: Polypropylene Plastic

Hinge: Contractor Quality Heavy Duty Plastic Hinge

Height of seat: 1 3/4"

Ring Thickness: 1/2"

Ring Thickness with Bumpers: 9/16"

PLUMBTECH™ plastic seats utilize high grade virgin polypropylene plastic. Complies with ANSI Standard Z124.5 Section 5.1.2