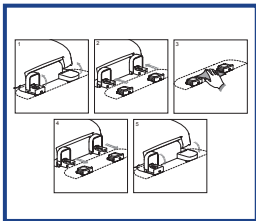


RESIDENTIAL PLASTIC



Release 'N' Clean™

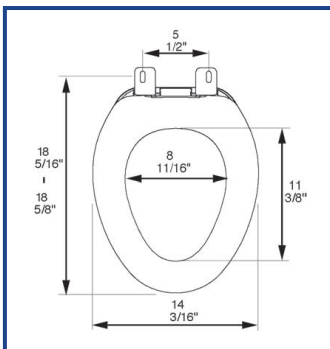


Factory-installed "living" hinge covers

Seat shall be PLUMBTECH™ MODEL - 206

- Builder grade residential elongated closed front with cover
- Injection molded durable polypropylene plastic with UV protection
- Round closed front with cover
- Molded in bumpers
- Contractor quality matching Vari-Adjust™ Lok-Down™ Release 'N' Clean™
- Corrosion proof POM nuts, bolts and washers
- Top mount design
- Accepts 304 stainless steel 200HPSS mounting hardware
- Non-skid rubberized pads are pre-installed hinge
- Specify White -00

PRODUCT SPECIFICATIONS



Residential

Model 206 - For ANSI Standard Elongated Toilets

Style: Closed Front with Cover

Material: Polypropylene Plastic

Hinge: Contractor Quality Heavy Duty Plastic Hinge

Height of seat: 1 3/4"

Ring Thickness: 1/2"

Ring Thickness with Bumpers: 9/16"

PLUMBTECH™ plastic seats utilize high grade virgin polypropylene plastic. Complies with ANSI Standard Z124.5 Section 5.1.2