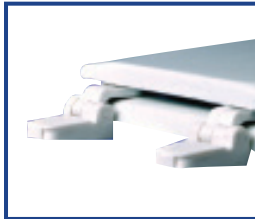


RESIDENTIAL MOLDED WOOD



Corrosion proof, self aligning hardware

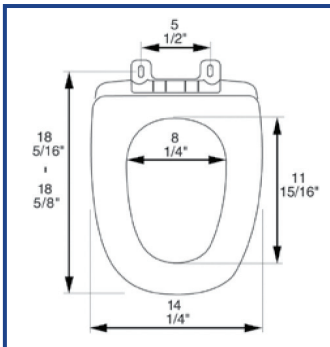


Factory-installed "living" hinge covers with stainless steel screws

Seat shall be PLUMBTECH™ MODEL - 188

- Premium quality durable MDF wood
- Elongated closed front with cover
- Multi-coat high gloss enamel paint with sealer and primer
- Heavy duty contractor grade
- Vari-Adjust Lok-Down™ Hinge
- UV paint color protection
- Color coordinated hinge and bumpers
- Four bumpers on ring for stability
- Non-skid rubberized pads
- Assembled with corrosion resistant stainless steel screws
- Corrosion proof nuts and bolts
- Contractor quality adjustable top mount hinge
- Specify white -00, bone -01 or black -90

PRODUCT SPECIFICATIONS



Residential

Model 188 - For Eljer™ New Emblem™ ANSI standard elongated front toilets

Style: Closed Front with Cover

Material: Molded Wood (wood flour and resin)

Hinge: Extra Heavy Duty Plastic Hinge

Height of seat: 2 1/4"

Ring Thickness: 7/8"

Ring Thickness with Bumpers: 1 1/8"

PLUMBTECH™ molded wood seats utilize the finest paint to seal and beautify the molded wood core with deep lustrous color and rock hard enamel durability.