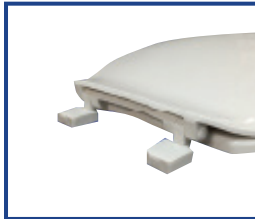


## RESIDENTIAL PLASTIC



Corrosion proof, self aligning hardware



Factory-installed "living" hinge covers

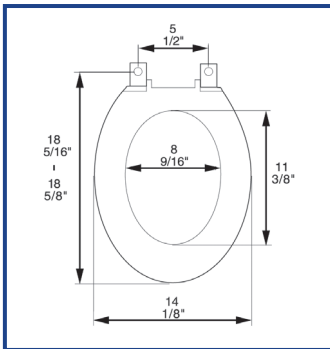
### Seat shall be PLUMBTECH™ MODEL - 202

- Injected molded durable polypropylene plastic with UV protection
- Elongated closed front with cover
- Molded in bumpers
- Corrosion proof nuts, bolts and washers
- Top mount design
- Accepts 304 stainless steel 200HPSS mounting hardware
- Specify white -00 and 02 linen/biscuit

**1**  
Year Limited  
Warranty!

Also available in truck pack of 10

## PRODUCT SPECIFICATIONS



Residential

Model 202 - For ANSI Standard Elongated Toilets

Style: Closed Front with Cover

Material: Polypropylene Plastic

Hinge: Plastic Hinge

Height of seat: 1 1/2"

Ring Thickness: 1/2"

Ring Thickness with Bumpers: 5/8"

PLUMBTECH™ plastic seats utilize high grade virgin polypropylene plastic. Complies with ANSI Standard Z124.5 Section 5.1.2