

RESIDENTIAL MOLDED WOOD



Corrosion proof, self aligning hardware



Factory-installed "living" hinge covers

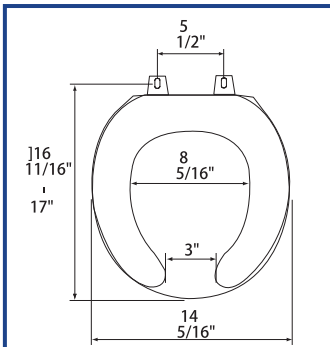
Seat shall be PLUMBTECH™ MODEL - 115

- Deluxe quality durable molded wood
- Round open front with cover
- Multi-coat high gloss enamel paint with sealer and primer
- UV paint color protection
- Contractor quality Vari-Adjust™ and Lok-Down™ top mount hinge
- Color matching hinge and bumpers
- Four bumpers on ring for stability
- Preassembled non-skid rubberized pads
- Assembled with corrosion resistant stainless steel screws
- Corrosion proof POM nuts and bolts
- Specify white -00

2

Year Limited
Warranty!

PRODUCT SPECIFICATIONS



Residential

Model 115 - For ANSI Standard Round Front Toilets

Style: Round - Open Front with Cover

Material: Molded Wood (wood flour and resin)

Hinge: Heavy Duty Plastic Hinge with Stainless Steel Screws

Height of seat: 2 1/4"

Ring Thickness: 3/4"

Ring Thickness with Bumpers: 1 1/8"

PLUMBTECH™ molded wood seats utilize the finest paint to seal and beautify the molded wood core with deep lustrous color and rock hard enamel durability.