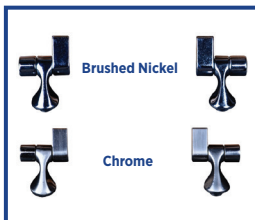


## RESIDENTIAL MOLDED WOOD



Hinge Finishes

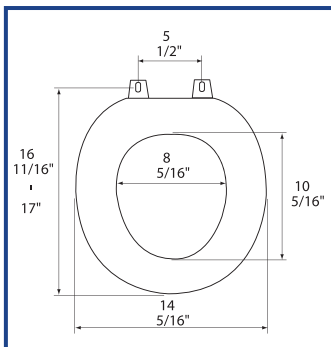
### Seat shall be BATHDÉCOR™ MODEL - 1C3R4

- Round front closed front with cover
- Durable molded wood
- Multi-coat high gloss enamel paint with sealer and primer
- UV paint color protection
- OSG - Odor Stain Guard ingredient in paint
- Plated metal hinge with non-corrosive self aligning mounting hardware
- Four bumpers on ring for stability
- Non-skid rubberized washer
- Assembled with corrosion resistant stainless steel screws
- Corrosion proof mounting hardware
- Includes free installation tool
- Color coordinated bumpers
- Specify white -00 or black -90
- Specify hinges - brushed nickel only available in white, or chrome available in white and black

**2**

Year Limited  
Warranty!

## PRODUCT SPECIFICATIONS



Residential

Model 1C3R4 - For ANSI Standard Round Front Toilets

Style: Closed Front with Cover

Material: Molded Wood ( wood flour and resin)

Hinge: Extra Heavy Duty Plastic Hinge with Metal Finished Cap

Height of seat: 2 1/4"

Ring Thickness: 3/4"

Ring Thickness with Bumpers: 1 1/8"

BATHDÉCOR™ molded wood seats utilize the finest paint to seal and beautify the molded wood core with deep lustrous color and rock hard enamel durability.