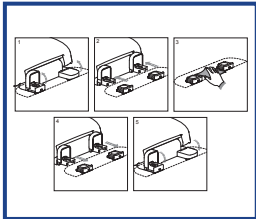


RESIDENTIAL MOLDED WOOD



Release 'N' Clean™



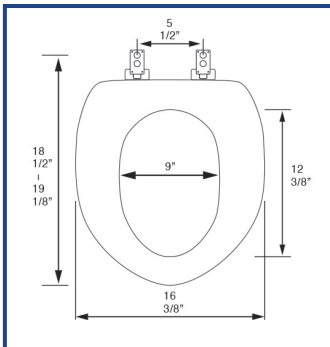
Factory-installed "living" hinge covers with stainless steel screws

Seat shall be PLUMBTECH™ MODEL - 193

- Big'un oversized elongated or round front with cover
- 16" wide is larger than ANSI standard
- Premium quality durable MDF wood
- Multi-coat high gloss enamel paint with sealer and primer
- UV paint color protection
- Color coordinated hinge with steel pintel
- Six bumpers on ring for added stability
- Non-skid rubberized pads
- Assembled with corrosion resistant stainless steel screws
- Corrosion proof POM nuts and bolts
- Heavy duty contractor quality Release 'N' Clean™ adjustable top mount hinge
- Color coordinated bumpers
- Specify white -00

3
Year Limited
Warranty!

PRODUCT SPECIFICATIONS



Residential

Model 193 - For ANSI Standard Elongated or Round Front Toilets

Style: Closed Front with Cover

Material: MDF Wood

Hinge: Extra Heavy Duty Plastic Hinge with Stainless Steel Screws and Pintels

Height of seat: 2"

Ring Thickness: 3/4"

Ring Thickness with Bumpers: 1 1/4"

PLUMBTECH™ MDF wood seats utilize the finest paint to seal and beautify the molded wood core with deep lustrous color and rock hard enamel durability.