

RESIDENTIAL PLASTIC



Corrosion proof, self aligning hardware



Factory-installed "living" hinge covers

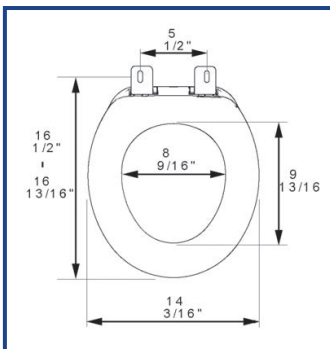
Seat shall be PLUMBTECH™ MODEL - 210

- Heavy Duty Builder grade residential round closed front with cover
- Injection molded durable polypropylene plastic with UV protection
- Round closed front with cover
- Molded in bumpers
- Contractor quality matching adjustable hinge
- Corrosion proof POM nuts, bolts and washers
- Top mount design
- Accepts 304 stainless steel 200HPSS mounting hardware
- Specify white -00, bone -01 or biscuit -02
- Quik-Lok hardware available on white model

2
Year Limited
Warranty!

White available in BathDécor™ package - Model 2C5R1

PRODUCT SPECIFICATIONS



Residential

Model 210 - For ANSI Standard Round Front Toilets

Style: Closed Front with Cover

Material: Polypropylene Plastic

Hinge: Contractor Quality Heavy Duty Plastic Hinge

Height of seat: 1 15/16"

Ring Thickness: 1/2"

Ring Thickness with Bumpers: 9/16"

PLUMBTECH™ plastic seats utilize high grade virgin polypropylene plastic. Complies with ANSI Standard Z124.5 Section 5.1.2