

RESIDENTIAL PLASTIC



Slow Close Seat



Factory-installed "living" hinge covers

Seat shall be PLUMBTECH™ MODEL - 260

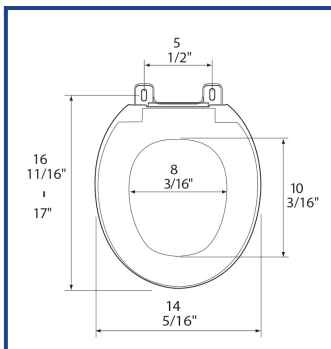
- Premium closed front with cover
- Patented slow close damper system
- Injection molded durable polypropylene plastic with UV protection
- Molded in bumpers
- Adjustable hinge
- Color matching hinge
- Non-skid rubberized pads
- Release 'N' Clean™ top mount adjustable hinge
- Accepts 304 stainless steel 200HPSS hardware
- Contractor quality hinge
- Specify white -00, bone -01, biscuit -02 or cotton white -04
- Quik-Lok hardware included in white model

3

Year Limited
Warranty!

White and Bone available in BathDécor™ package - Model 2C3R6

PRODUCT SPECIFICATIONS



Residential

Model 260 - For ANSI Standard Round Front Toilets

Style: Closed Front with Cover

Material: Polypropylene Plastic

Hinge: Slow close damper system with Release 'N' Clean™ and adjustable

Height of seat:

Ring Thickness:

Ring Thickness with Bumpers:

PLUMBTECH™ plastic seats utilize high grade virgin polypropylene plastic. Complies with ANSI Standard Z124.5 Section 5.1.2