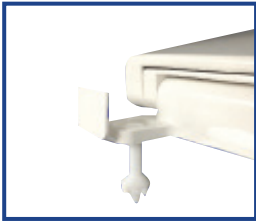


RESIDENTIAL PLASTIC



Corrosion proof, self aligning hardware



Factory-installed "living" hinge covers

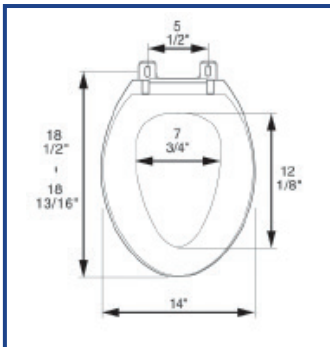
Seat shall be PLUMBTECH™ MODEL - 271

- Commercial closed front with cover
- Slow close feature replaces the need for self-sustaining
- Injected molded durable polypropylene plastic with UV protection
- Four molded-in bumpers for stability
- Contractor quality matching adjustable hinge
- Corrosion proof POM nuts, bolts and washers
- Rubberized non-skid pads
- Top mount design for ease of installation and maintenance
- Stainless steel pintels for durability
- Accepts 304 stainless steel 200HPSS hardware
- Specify white -00, bone -01 or biscuit -02
- Quik-Lok hardware available on white model

3

Year Limited
Warranty!

PRODUCT SPECIFICATIONS



Residential

Model 271 - For ANSI Standard Elongated Toilets

Style: Closed Front with Cover

Material: Polypropylene Plastic

Hinge:

Height of seat:

Ring Thickness:

Ring Thickness with Bumpers:

PLUMBTECH™ plastic seats utilize high grade virgin polypropylene plastic. Complies with ANSI Standard Z124.5 Section 5.1.2