

RESIDENTIAL PLASTIC



Slow Close Seat

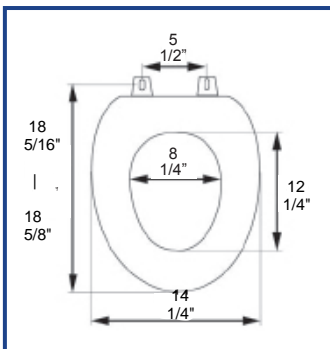


Factory-installed "living" hinge covers

Seat shall be PLUMBTECH™ MODEL - 225

- Patented slow close damper system
- Strong & durable - injection molded of high-impact, chemically resistant polypropylene
- Comfortable, ergonomically designed ring
- Contoured ring provides greater support
- Adjustable hinge for a perfect fit on any standard ANSI toilet bowl
- Closed front elongated with cover
- Corrosion proof Quik-Lok POM nuts, bolts and washers
- Molded-in bumpers for added safety and comfort
- Easy, self-aligning, top mount installation with Quik-Lok hardware
- UV ingredient added to maintain color
- Accepts 304 stainless steel 200HPSS mounting hardware
- Contractor quality hinge
- Specify white -00

PRODUCT SPECIFICATIONS



Residential

Model 225 - For ANSI Standard Elongated Toilets

Style: Closed Front with Cover

Material: Polypropylene Plastic

Hinge: Slow close damper system with adjustable hinge

Height of seat: 1 1/8"

Ring Thickness: 1/2"

Ring Thickness with Bumpers: 5/8"

PLUMBTECH™ plastic seats utilize high grade virgin polypropylene plastic. Complies with ANSI Standard Z124.5 Section 5.1.2