

RESIDENTIAL NATURAL WOOD



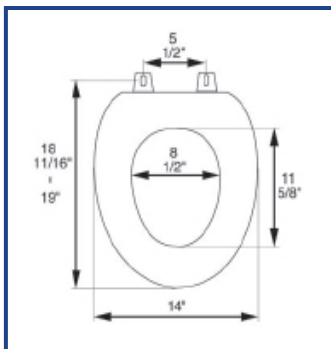
Seat shall be BATHDÉCOR™ MODEL - 5C3E2-17

- Light Oak finish
- Solid metal alloy hinge with designer finish
- Solid molded wood construction with laminated natural wood veneer
- Closed front design
- Non-Corrosive self-aligning mounting hardware
- Wood is sealed with two coats of industrial grade furniture lacquer
- Available in chrome and polished brass finish hinge
- Specify -CH (Chrome Finish), or -BR (Polished Brass)



Hinge Finishes

PRODUCT SPECIFICATIONS



Residential

Model 5C3E2-17CH or BR - For ANSI Standard Elongated Toilets

Style: Closed Front with Cover

Material: Molded Wood and Laminated Oak Veneer

Hinge: Extra Heavy Duty Metal Hinge with Metal Finish

Height of seat: 2 1/4"

Ring Thickness: 7/8"

Ring Thickness with Bumpers: 1 1/8"

BATHDÉCOR™ natural wood seats utilize the finest paint to seal, beautify and enhance the durability.