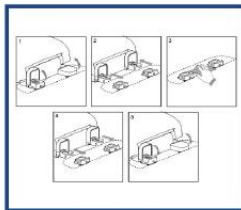




Factory-installed hinge with stainless steel screws



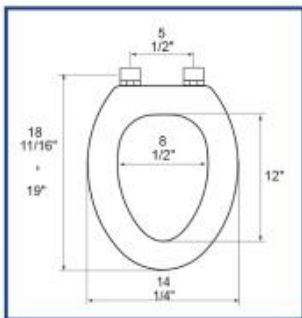
Release 'N' Clean™

RESIDENTIAL MOLDED WOOD Seat shall be Luxury Line MODEL LL-106QL

- Builder grade durable molded wood.
- Elongated closed front with cover.
- Multi-coat high gloss enamel paint with sealer and primer.
- UV paint color protection.
- Contractor quality adjustable Release 'N' Clean™ top mount hinge.
- Quik-Lok™ fast and easy mounting system requiring no tools.
- Color matching hinges and bumpers.
- Four Sta-put™ bumpers on ring for added stability.
- Two Sta-put™ bumpers on cover for maximum stability.
- Non-skid rubberized pads.
- Assembled with corrosion resistant stainless steel screws.
- Corrosion proof POM nuts and bolts.
- Specify White -00



PRODUCT SPECIFICATIONS



Residential

Model LL-106QL For ANSI Standard Elongated Front Toilets

Style: Closed Front with Cover

Material: Molded Wood (wood flour and resin)

Hinge: Heavy Duty Plastic Hinge with Stainless Steel Screws

Height of seat: 2 1/4"

Ring Thickness: 3/4"

Ring Thickness with Bumpers: 1 1/8"

Luxury Line molded wood seats utilize the finest paint to seal and beautify the molded wood core with deep lustrous color and rock hard enamel durability.