

RESIDENTIAL MOLDED WOOD

Seat shall be PLUMBTECH™ MODEL - 154



Factory-installed "living" hinge covers with stainless steel screws



Slow Close Seat

- Patented slow close damper system
- Durable molded wood
- Multi-coat high gloss enamel paint with sealer and primer
- UV paint color protection
- Color coordinated bumpers
- Four bumpers on ring for stability
- Non-skid rubberized pads
- Assembled with corrosion resistant stainless steel screws
- Corrosion proof nuts and bolts
- Contractor grade heavy duty hinge
- Specify white -00, bone -01, biscuit -02 or Black -90 order 1C3E6-90.

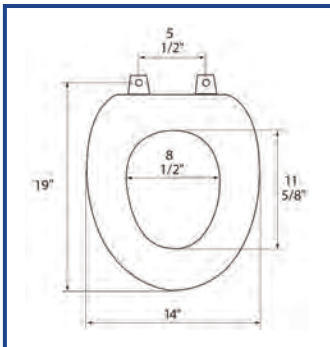
Quik-Lok™ No Tools Required

Release 'N' Clean™ Hinges



Available in BathDécor™ package - Model 1C3E6

PRODUCT SPECIFICATIONS



Residential

Model 154 - For ANSI Standard Elongated Toilets

Style: Closed Front with Cover

Material: Molded Wood (wood flour and resin)

Hinge: Heavy Duty Slow Close

Height of seat:

Ring Thickness:

Ring Thickness with Bumpers:

PLUMBTECH™ molded wood seats utilize the finest paint to seal and beautify the molded wood core with deep lustrous color and rock hard enamel durability.