

**New Plastic Seats Designed for Residential,
Remodel and Multi-Family Applications**

by:

PLUMBTECH™



Model 213 Elongated



Model 212 Round

What Is The Need and Opportunity for New Deluxe Plastic Seats?

- The residential market is always evolving and searching for ways and means to bend the cost curve while maintaining the overall quality of the final product.
- Additionally, consumers and homeowners are more conscious than ever regarding extra styling and new features.
- Our market surveys indicate a much as 50% of new homeowners are replacing the toilet seats, installed by the building contractor within weeks of purchasing the home.
- The overwhelming majority of new residential construction toilet seats are being replaced by new homeowners with better quality seats and upgrade features. The overwhelming majority of these seats are purchased in retail stores.
- It became clear that one of our goals had to be filling the need for an upgrade quality plastic seat, with premium features, without the premium price.
- The second goal had to be to design, engineer and manufacture a plastic seat that meets the needs of contractors and consumers

PLUMBTECH™



PLUMBTECH Model 213-00.
Elongated Plastic
Suggested List: \$39.00



PLUMBTECH Model 212-00.
Round Front Plastic
Suggested List: \$29.00



2

Two Year Limited Warranty!


Features and Benefits of PLUMBTECH Deluxe Plastic Models 212 & 213

- **Constructed of 100% virgin polypropylene-no fillers, extenders, or regrind.**
- **Strong & Durable - injection molded, high impact, chemically resistant.**
- **Ergonomically designed seat ring with contour provides greater comfort and support.**
- **Specially designed cover resists flexing, or “oil canning”.**
- **Convenient finger notch in front of cover for easy lifting.**
- **Release-N-Clean™ hinge for easy mounting and cleaning.**
- **Corrosion proof Quik-Lok™ POM nuts, bolts and washers.**
- **Adjustable hinges for a perfect fit on any standard ANSI toilet bowl.**
- **Heavy Duty Contractor Hinge.**
- **Molded in bumpers for added safety and comfort.**
- **Easy, self aligning, top mount installation with Quik-Lok™ hardware.**
- **UV Ingredient to maintain color**
- **Meets and exceeds ANSI Quality Standards**

“Why pay the same or more, for less quality and features?”

Quik-Lok™



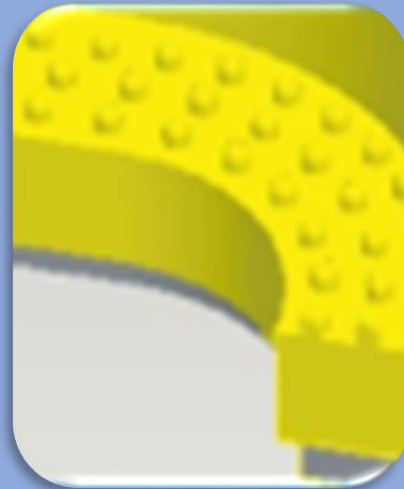
- UP TO 6X FASTER INSTALLATION!
 - Save 50% to 80% of your time-LABOR COST.
 - Increased productivity - install in less than a minute.
-  No tools necessary for installation!

Simple Fast Easy

Vari-Adjust™ with Lok-Down™ Adjustable Hinges and Release N Clean™



Compression “Dots” lock seat in place for added stability.



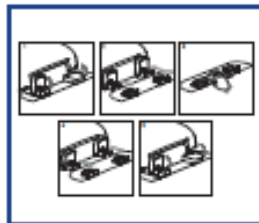
Models 212/213 are available in White only.

Plumbing Technologies LLC, plumbtechseats.com
Email: customerservice@plumbtechseats.com Phone: 973-998-9778
Fax: 973-998-9780 or 973-947-6458

RESIDENTIAL PLASTIC



Corrosion proof, self aligning hardware

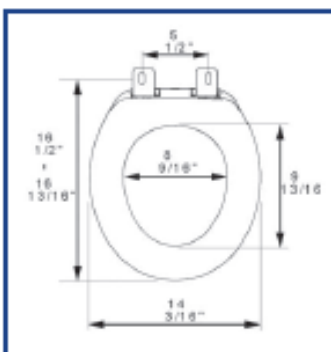


Release 'N' Clean™

Seat shall be PLUMBTECH™ MODEL - 212

- Deluxe residential round closed front with cover
- Injection molded durable polypropylene plastic with UV protection
- Round closed front with cover
- Molded in bumpers
- Heavy duty vari-adjust Lok-Down hinge
- Corrosion proof Release 'N' Clean hinge POM nuts, bolts and washers
- Quik-Lok mounting hardware
- Top mount design
- Accepts 304 stainless steel 200HPSS mounting hardware
- Specify white -00, bone -01 or biscuit -02

PRODUCT SPECIFICATIONS



Residential

Model 212 - For ANSI Standard Round Front Toilets

Style: Closed Front with Cover

Material: Polypropylene Plastic

Hinge: Contractor Quality Heavy Duty Plastic Hinge

Height of seat: 1 15/16"

Ring Thickness: 1/2"

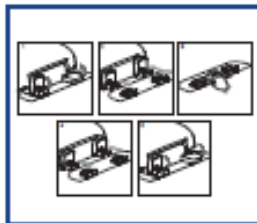
Ring Thickness with Bumpers: 9/16"

PLUMBTECH™ plastic seats utilize high grade virgin polypropylene plastic. Complies with ANSI Standard Z124.5 Section 5.1.2

RESIDENTIAL PLASTIC



Corrosion proof, self aligning hardware



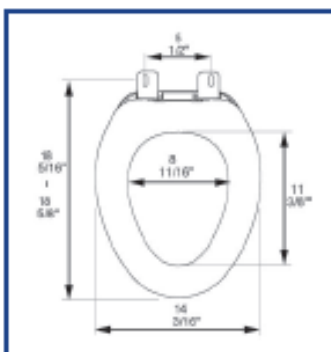
Release 'N' Clean™

Seat shall be PLUMBTECH™ MODEL - 213

- Deluxe residential elongated closed front with cover
- Injection molded durable polypropylene plastic with UV protection
- Molded in bumpers
- Heavy duty vari-adjust Lok-Down hinge
- Release 'N' Clean hinge
- Pre-assembled non-skid cushioned pad
- Quik-Lok mounting hardware
- Corrosion proof POM nuts, bolts and washers
- Top mount design
- Accepts 304 stainless steel 200HPSS mounting hardware
- Specify white -00, bone -01 or biscuit -02

White available in BathDécor™ package - Model 2C5E1

PRODUCT SPECIFICATIONS



Residential

Model 213 - For ANSI Standard Elongated Toilets

Style: Closed Front with Cover

Material: Polypropylene Plastic

Hinge: Contractor Quality Heavy Duty Plastic Hinge

Height of seat: 1 15/16"

Ring Thickness: 1/2"

Ring Thickness with Bumpers: 9/16"

PLUMBTECH™ plastic seats utilize high grade virgin polypropylene plastic. Complies with ANSI Standard Z124.5 Section 5.1.2