

**Premium Quality Slow Close Plastic Seats
Designed with Luxury Features**

by:

PLUMBTECH™



Model 261 Elongated



Model 260 Round

What Is The Need and Opportunity for Premium Slow Closing Plastic Seats?

- Today's consumers are more discerning and educated than ever before, and their expectation is high quality, high style, and rich in features .
- In the last 15-20 years the average consumer's ideal price point for a good quality seat has increased from \$15-20 to \$30-40+.
- Premium features such as slow closing are experiencing a double digit growth in demand by consumers.
- Our market surveys indicate as much as 50% of new home owners are replacing the toilet seats that were installed by the building contractor within weeks of purchasing the home or apartment, with a premium seat.
- Consumers are demanding better quality seats and upgrade features. The overwhelming majority of these premium seats are purchased in retail stores.
- The goal is to provide Plumbing Wholesalers with a premium plastic slow closing seat, with features that consumers and contractors demand, at a competitive advantage.

PLUMBTECH™



PLUMBTECH Model 261
Elongated Plastic Slow Close
Suggested List: \$69.00



PLUMBTECH Model 260
Round Front Plastic Slow Close
Suggested List: \$63.00



3

Three Year Limited Warranty!




Features and Benefits of PLUMBTECH Slow Close Models 260 & 261

- **Patented, long life slow close damper system.**
- **Constructed of 100% virgin polypropylene-no fillers, extenders, or regrind**
- **Strong & Durable - injection molded, high impact, chemically resistant.**
- **Ergonomically designed seat ring with contour provides greater comfort and support.**
- **Corrosion proof Quik Lok™ POM nuts, bolts and washers.**
- **Release 'N' Clean™ hinges for fast, easy installation and removal for cleaning.**
- **Adjustable hinges for a perfect fit on any standard ANSI toilet bowl.**
- **Heavy Duty Contractor Hinge.**
- **Molded in bumpers for added safety and comfort.**
- **Easy, self aligning, top mount installation with Quik Lok™ hardware.**
- **UV Ingredient to maintain color**
- **Meets and exceeds ANSI Quality Standards**

“Why pay the same or more, for less quality and features?”

Quik-Lok™



- UP TO 6X FASTER INSTALLATION!
 - Save 50% to 80% of your time-LABOR COST.
 - Increased productivity - install in less than a minute.
-  No tools necessary for installation!

Simple Fast Easy

Vari-Adjust™ with Lok-Down™ Adjustable Hinges and Release N Clean™



Compression
“Dots” lock
seat in place
for added
stability.



Models 260/261 are available in White, Bone, Linen and Cotton White

Plumbing Technologies LLC, plumbtechseats.com

Email: customerservice@plumbtechseats.com Phone: 973-998-9778

Fax: 973-998-9780 or 973-947-6458

RESIDENTIAL PLASTIC



Seat shall be PLUMBTECH™ MODEL - 261

- Closed front with cover
- Patented slow close damper system
- Injection molded durable polypropylene plastic with UV protection
- Molded in bumpers
- Adjustable hinge
- Color matching hinge
- Non-skid rubberized pads
- Release 'N' Clean™ top mount adjustable hinge
- Accepts 304 stainless steel 200HPSS hardware
- Contractor quality hinge
- Specify white -00, bone -01, biscuit -02 or cotton white -04

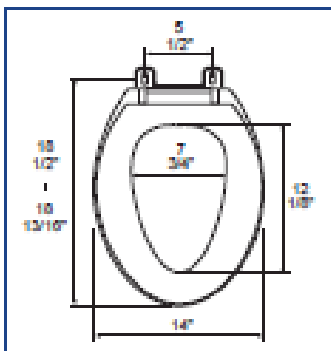


Slow Close Seat



Factory-installed "living" hinge covers

PRODUCT SPECIFICATIONS



Residential

Model 261 - For ANSI Standard Elongated Toilets

Style: Closed Front with Cover

Material: Polypropylene Plastic

Hinge: Slow close damper system with Release 'N' Clean™ and adjustable

Height of seat:

Ring Thickness:

Ring Thickness with Bumpers:

PLUMBTECH™ plastic seats utilize high grade virgin polypropylene plastic. Complies with ANSI Standard Z124.5 Section 5.1.2

RESIDENTIAL PLASTIC



Slow Close Seat

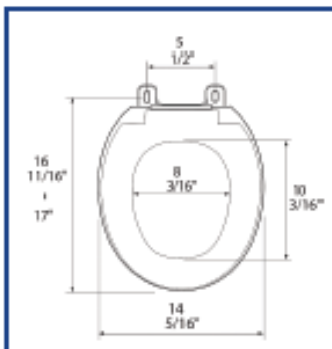


Factory-installed "living" hinge covers

Seat shall be PLUMBTECH™ MODEL - 260

- Closed front with cover
- Patented slow close damper system
- Injection molded durable polypropylene plastic with UV protection
- Molded in bumpers
- Adjustable hinge
- Color matching hinge
- Non-skid rubberized pads
- Release 'N' Clean™ top mount adjustable hinge
- Accepts 304 stainless steel 200HPSS hardware
- Contractor quality hinge
- Specify white -00, bone -01, biscuit -02 or cotton white -04

PRODUCT SPECIFICATIONS



Residential

Model 260 - For ANSI Standard Round Front Toilets

Style: Closed Front with Cover

Material: Polypropylene Plastic

Hinge: Slow close damper system with Release 'N' Clean™ and adjustable

Height of seat:

Ring Thickness:

Ring Thickness with Bumpers:

PLUMBTECH™ plastic seats utilize high grade virgin polypropylene plastic. Complies with ANSI Standard Z124.5 Section 5.1.2