

# Standard+ Residential Molded Wood Seats Designed for Durability and Ease of Installation.

by:

# PLUMBTECH™



**Model 102 Elongated**



**Model 101 Round**

**1**

*One Year Limited Warranty!*



## **What Is The Need and Opportunity for Standard+ Grade Molded Wood Seats?**

- Consumer and contractor demand is still in high with a strong preference for molded wood toilet seats in North America.
- In the last 15-20 years the average consumer's ideal price point for a good quality seat has increased from \$15-20 to \$30-60.
- Segments of pros and consumers have preferences for low cost combined with simplicity and fast, easy installation.
- One goal is to provide Plumbing Wholesalers with an exclusive, competitive residential seat, that is not available at retail.
- The other goal is to provide Plumbing Wholesalers with a quality molded wood seat, with features that consumers and contractors demand, at a competitive advantage.



# PLUMBTECH™



PLUMBTECH Model 102-00  
Elongated Molded Wood Seat.  
Suggested List: \$27.00



PLUMBTECH Model 101-00  
Round Front Molded Wood Seat.  
Suggested List: \$20.00

**6** Layers of Finish

- 1 Sealer
- 1 Primer
- 4 Paint



## Features and Benefits of PLUMBTECH Models 101 & 102

- **Strong & Durable - High quality molded wood.**
- **Six layers of paint finish with sealer and primer.**
- **High content of resins to create a rock hard wood core and extended life.**
- **Assembled with corrosion resistant stainless steel screws.**
- **Vari-adjust™ adjustable hinges for a perfect, secure fit on any standard ANSI toilet bowl.**
- **Ergonomically designed seat ring provides comfort and support.**
- **Four bumpers on elongated seat ring for extra stability.**
- **Corrosion proof POM mounting hardware for top mount installation.**
- **UV Ingredient to maintain color.**
- **Color coordinated hinge and bumpers.**
- **Meets and exceeds ANSI Quality Standards.**

*“Why pay the same or more, for less quality and features?”*

## RESIDENTIAL MOLDED WOOD



Corrosion proof, self aligning hardware



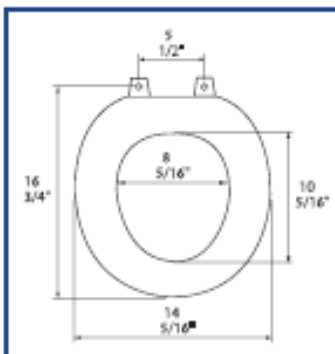
Factory-installed "living" hinge covers with stainless steel screws

### Seat shall be PLUMBTECH™ MODEL - 101

- Standard quality durable molded wood
- Round closed front with cover
- Multi-coat high gloss enamel paint with sealer and primer
- UV paint color protection
- Color coordinated hinge and bumpers
- Assembled with corrosion resistant stainless steel screws
- Corrosion proof nuts and bolts
- Specify white -00, bone -01 or biscuit -02

White available in BathDécor™ package - Model 1C6R1-00

## PRODUCT SPECIFICATIONS



Residential

Model 101 - For ANSI Standard Round Front Toilets

Style: Closed Front with Cover

Material: Molded Wood (wood flour and resin)

Hinge: Plastic Hinge assembled with Stainless Steel Screws

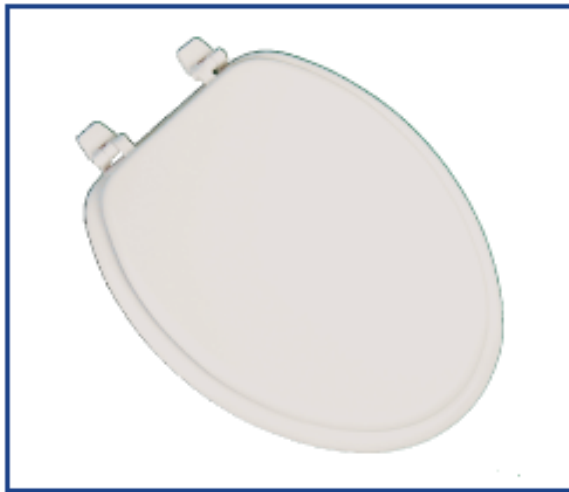
Height of seat: 2"

Ring Thickness: 5/8"

Ring Thickness with Bumpers: 1"

PLUMBTECH™ molded wood seats utilize the finest paint to seal and beautify the molded wood core with deep lustrous color and rock hard enamel durability.

## RESIDENTIAL MOLDED WOOD



Corrosion proof, self aligning hardware



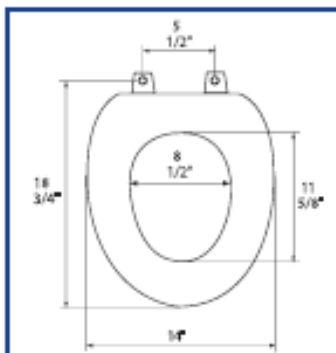
Factory-installed "living" hinge covers with stainless steel screws

### Seat shall be PLUMBTECH™ MODEL - 102

- Standard quality durable molded wood
- Elongated closed front with cover
- Multi-coat high gloss enamel paint with sealer and primer
- UV paint color protection
- Color coordinated hinge and bumpers
- Assembled with corrosion resistant stainless steel screws
- Corrosion proof nuts and bolts
- Specify white -00, bone -01 or biscuit -02

White available in BathDécor™ package - Model 1C6E1-00

## PRODUCT SPECIFICATIONS



### Residential

**Model 102 - For ANSI Standard Elongated Front Toilets**

**Style: Closed Front with Cover**

**Hinge: Plastic Hinge assembled with Stainless Steel Screws**

**Material: Molded Wood (wood flour and resin)**

**Height of seat: 2"**

**Ring Thickness: 5/8"**

**Ring Thickness with Bumpers: 1"**

**PLUMBTECH™ molded wood seats utilize the finest paint to seal and beautify the molded wood core with deep lustrous color and rock hard enamel durability.**