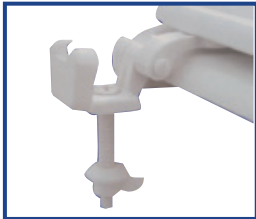


## RESIDENTIAL MOLDED WOOD



Corrosion proof, self aligning hardware



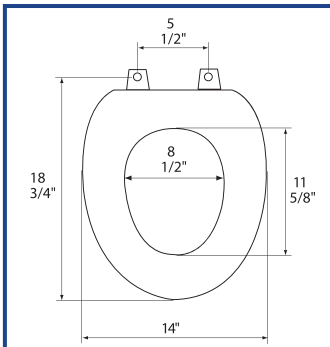
Factory-installed "living" hinge covers with stainless steel screws

### Seat shall be PLUMBTECH™ MODEL - 102

- Standard quality durable molded wood
- Elongated closed front with cover
- Multi-coat high gloss enamel paint with sealer and primer
- UV paint color protection
- Color coordinated hinge and bumpers
- Assembled with corrosion resistant stainless steel screws
- Corrosion proof nuts and bolts
- Specify white -00, bone -01 or biscuit -02

White available in BathDécor™ package - Model 1C6E1-00

## PRODUCT SPECIFICATIONS



### Residential

Model 102 - For ANSI Standard Elongated Front Toilets

Style: Closed Front with Cover

Hinge: Plastic Hinge assembled with Stainless Steel Screws

Material: Molded Wood (wood flour and resin)

Height of seat: 2"

Ring Thickness: 5/8"

Ring Thickness with Bumpers: 1"

PLUMBTECH™ molded wood seats utilize the finest paint to seal and beautify the molded wood core with deep lustrous color and rock hard enamel durability.