

RESIDENTIAL MOLDED WOOD



Corrosion proof, self aligning hardware

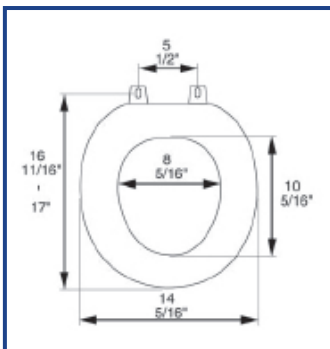


Factory-installed "living" hinge covers with stainless steel screws

Seat shall be BATHDÉCOR™ MODEL - 1C3R5-00WF

- Durable molded wood
- Release 'N' Clean™ adjustable top mount hinge
- Multi-coat high gloss enamel paint with sealer and primer
- UV paint color protection
- Closed front with cover
- OSG - Odor Stain Guard ingredient in paint
- Color matching hinge and bumpers
- Four bumpers on ring for stability
- Assembled with corrosion resistant stainless steel screws
- Corrosion proof nuts and bolts
- Contractor quality heavy duty hinges
- Specify white -00

PRODUCT SPECIFICATIONS



Residential

Model 1C3R5-WF - For ANSI Standard Round Front Toilets

Style: Closed Front with Cover

Material: Molded Wood (wood flour and resin)

Hinge: Extra Heavy Duty Plastic Hinge with Metal Finished Cap

Height of seat: 2 1/4"

Ring Thickness: 3/4"

Ring Thickness with Bumpers: 1 1/8"

BATHDÉCOR™ molded wood seats utilize the finest paint to seal and beautify the molded wood core with deep lustrous color and rock hard enamel durability.