

RESIDENTIAL MOLDED WOOD Slow Close Molded Wood Toilet seat with Chrome Hinge



Corrosion proof, self aligning hardware



Slow Close Seat

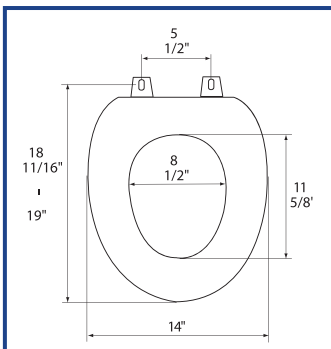
Seat shall be BATHDÉCOR™ MODEL - 1C3R6-00CH

- Premium quality durable molded wood
- Patented slow close damper system
- Round closed front with cover
- OSG - Odor Stain Guard ingredient in paint
- Multi-coat high gloss enamel paint with sealer and primer
- UV paint color protection
- Top mount hinge chrome metal hinge
- Color coordinated bumpers
- Four bumpers on ring for stability
- Non-skid rubberized pads
- Assembled with corrosion resistant stainless steel screws
- Corrosion proof POM nuts and bolts
- Specify white -00 or black -90



Hinge Finishes

PRODUCT SPECIFICATIONS



Residential

Model 1C3R6-00CH - For ANSI Standard Round Front Toilets

Style: Closed Front with Cover

Material: Molded Wood (wood flour and resin)

Hinge: Extra Heavy Duty Metal Hinge

Height of seat: 2 1/4"

Ring Thickness: 3/4"

Ring Thickness with Bumpers: 1 1/8"

BATHDÉCOR™ molded wood seats utilize the finest paint to seal and beautify the molded wood core with deep lustrous color and rock hard enamel durability.