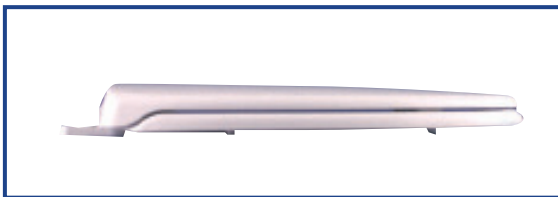
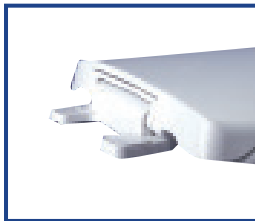


RESIDENTIAL PLASTIC



Corrosion proof, self aligning hardware

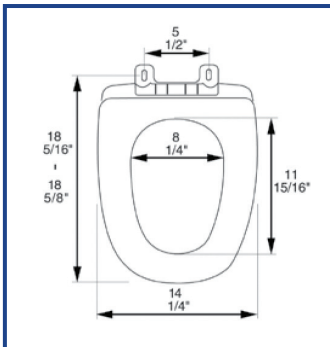


Factory-installed "living" hinge covers

Seat shall be PLUMBTECH™ MODEL - 281

- Eljer® New Emblem™ residential elongated closed front ring design with cover
- Injected molded durable polypropylene plastic with UV protection
- Closed front with cover
- Molded in bumpers
- Matching adjustable hinge
- Corrosion proof nuts and bolts
- Rubberized non-skid pads
- Patented slow close damper system
- Accepts 304 stainless steel 200HPSS hardware
- Specify white -00

PRODUCT SPECIFICATIONS



Residential

Model 281 - For ANSI Standard Elongated Toilets

Style: Closed Front with Cover

Material: Polypropylene Plastic

Hinge:

Height of seat:

Ring Thickness:

Ring Thickness with Bumpers:

PLUMBTECH™ plastic seats utilize high grade virgin polypropylene plastic. Complies with ANSI Standard Z124.5 Section 5.1.2