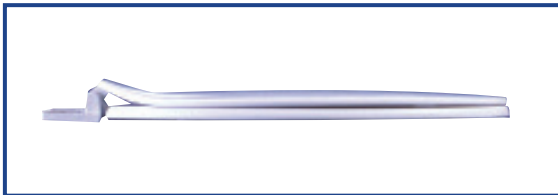
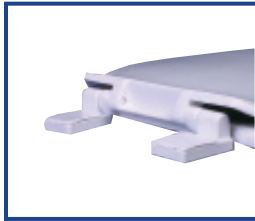


RESIDENTIAL PLASTIC



Corrosion proof, self aligning hardware

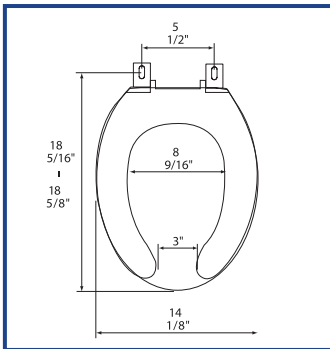


Factory-installed "living" hinge covers

Seat shall be PLUMBTECH™ MODEL - 321

- Open front with cover
- Standard residential open front ring design with cover
- Injected molded durable polypropylene plastic with UV protection
- Molded in bumpers
- Contractor quality matching adjustable hinge
- Corrosion proof nuts, bolts and washers
- Rubberized non-skid pads
- Top mount design
- Extra-large pintels for stability
- Accepts 304 stainless steel 200HPSS mounting hardware
- Specify white -00, bone -01, biscuit -02 or black -90

PRODUCT SPECIFICATIONS



Residential

Model 321 - For ANSI Standard Elongated Toilets

Style: Closed Front with Cover

Material: Polypropylene Plastic

Hinge:

Height of seat:

Ring Thickness:

Ring Thickness with Bumpers:

PLUMBTECH™ plastic seats utilize high grade virgin polypropylene plastic. Complies with ANSI Standard Z124.5 Section 5.1.2