

COMMERCIAL PLASTIC



External check hinge with coated metal hinge posts

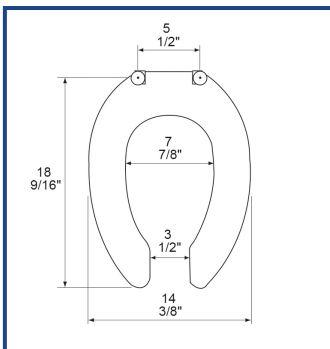


External check hinge stops seat 11 degrees beyond vertical

Seat shall be PLUMBTECH™ MODEL - 411C

- Commercial design elongated open front less cover
- Injection molded durable polypropylene plastic with UV protection
- External check hinge stops at 11 degrees beyond vertical
- Ergonomical comfort curve seat design
- Corrosion resistant Dacromet™ polymer coated metal hinge for extended life
- Built in bumpers
- Specify white -00

PRODUCT SPECIFICATIONS



Commercial

Model 411C - For ANSI Standard Elongated Front Toilets

Style: Open Front Less Cover

Material: Polypropylene Plastic

Hinge: External check hinge with zinc plated metal hinge posts

Height of seat: N/A

Ring Thickness: 1"

Ring Thickness with Bumpers: 7/8"

PLUMBTECH™ plastic seats utilize high grade virgin polypropylene plastic. Complies with ANSI Standard Z124.5 Section 5.1.2